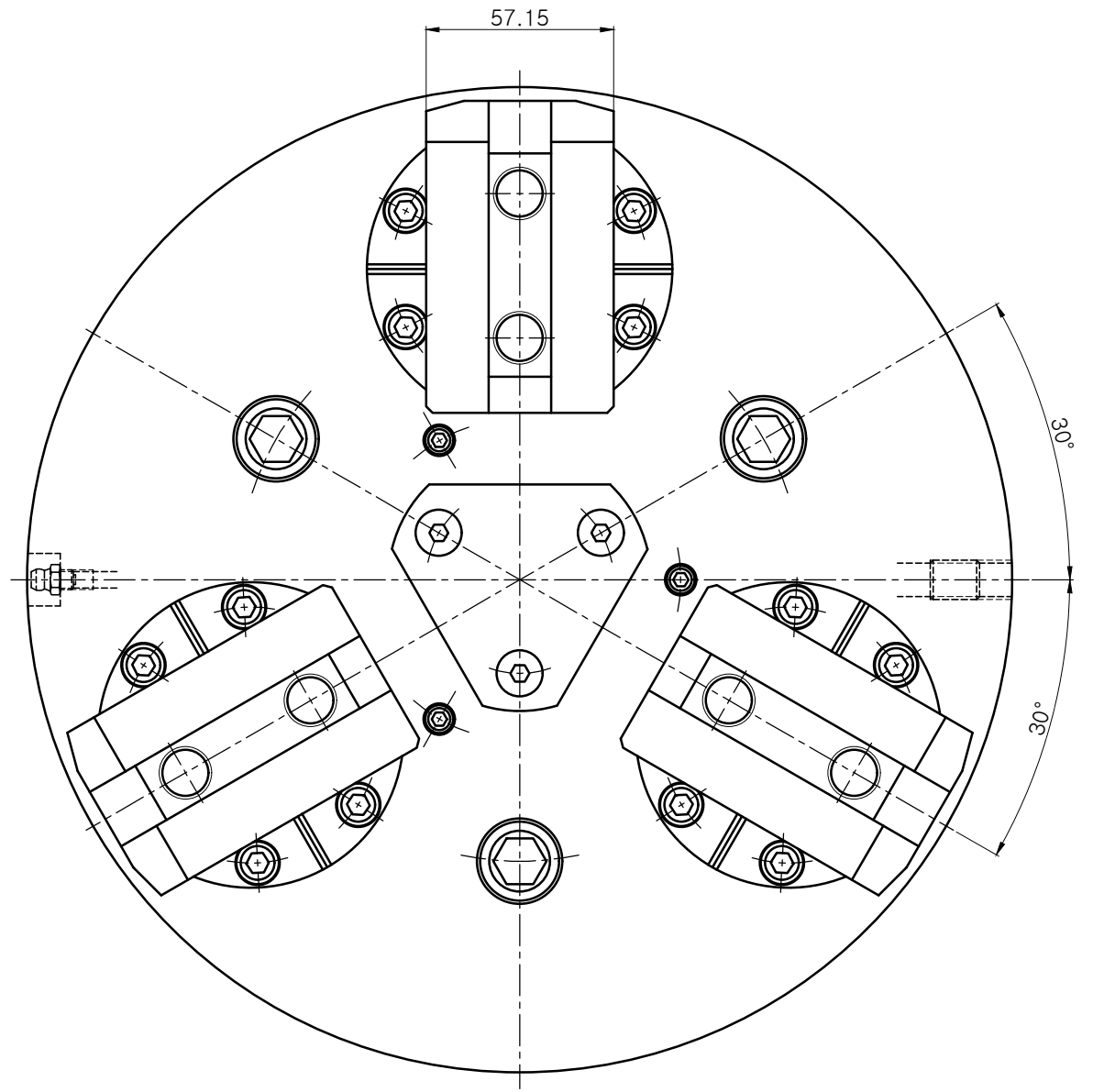
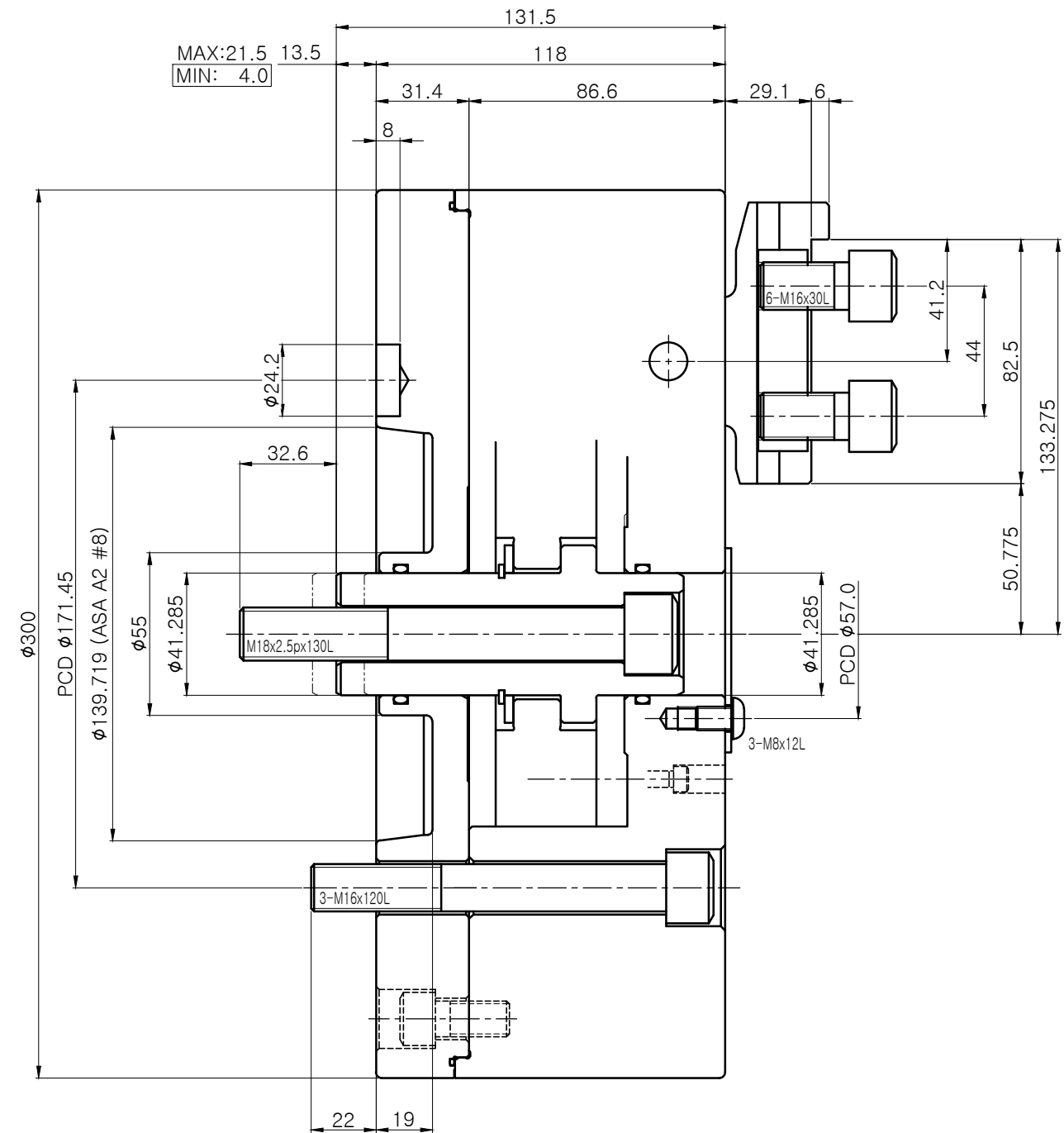


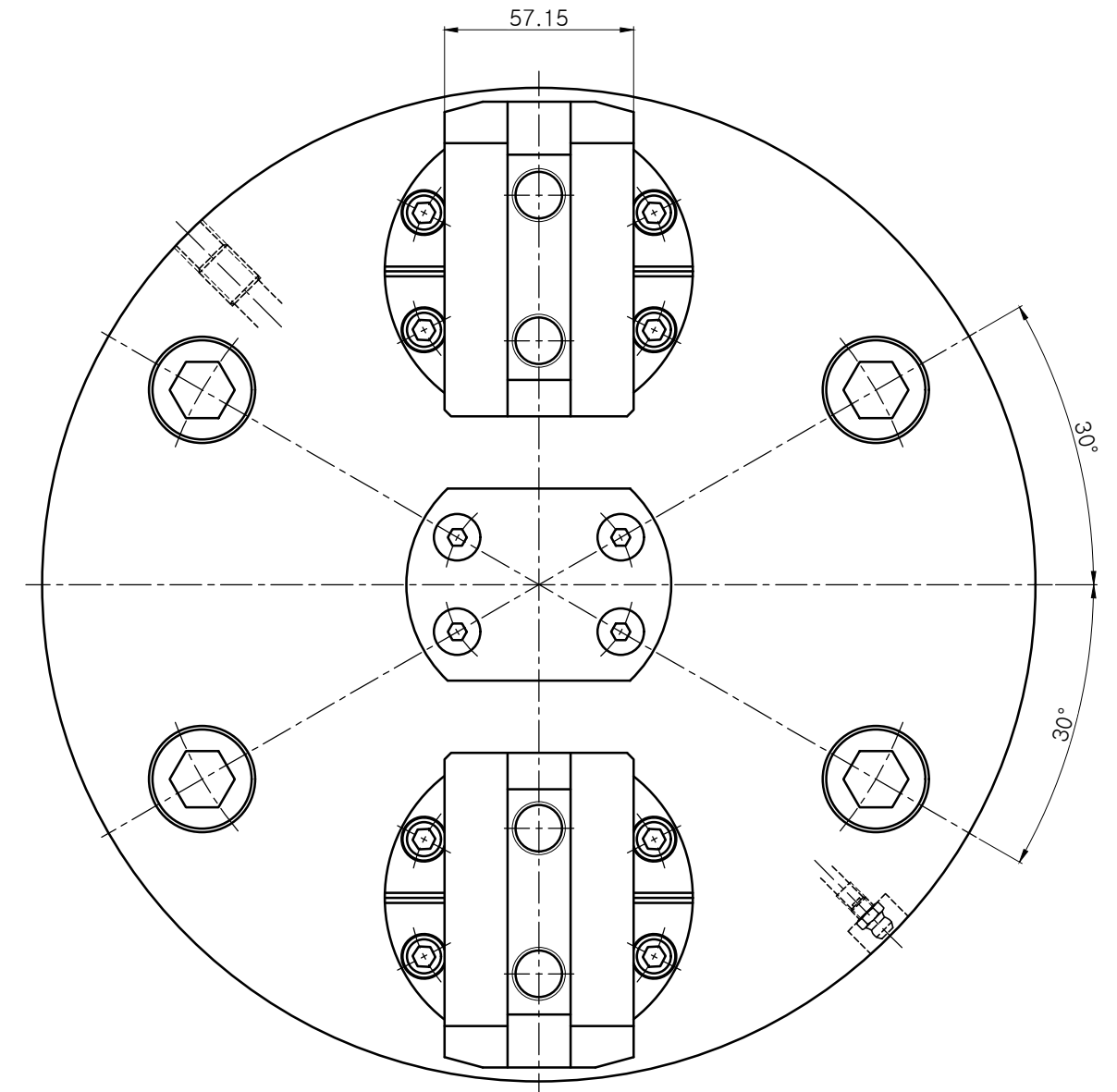
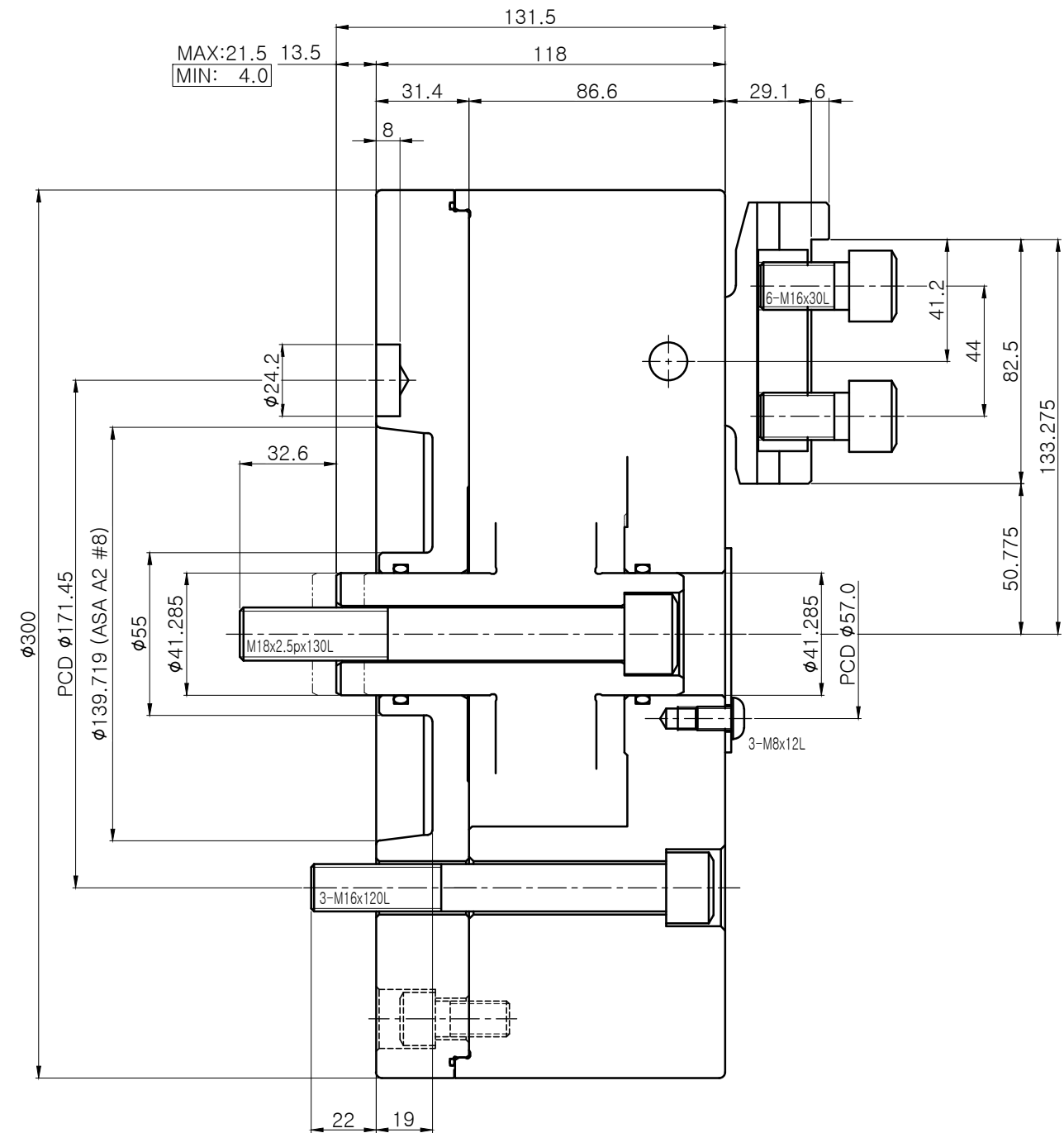
No.	REVISIONS	DATE	DRAWN	APP.
1				
2				



CHUCK SPEC.	
CHUCK SPEC.	PBL-12-3CP
PLUNGER STROKE	17.5 mm
JAW STROKE	12.7 mm
MAX. INPUT FORCE	3,600 kgf
CLAMPING FORCE	10,800 kgf
MAX. SPEED	2,000 rpm
MOMENT OF INERTIAL	1.23kgf.m ²
WEIGHT	67.5 kg

1	BLANK CHUCK	STD.	PBL-12-3CP	1SET	A2 #8
NO.	TITLE OF ITEM	MATERIAL	SIZE & SPEC.	Q'TY	NOTE
TITLE	PBL CHUCK (PBL-12-3CP)		PART NAME	ASSEMBLY DRAWING	
DWG. NO.	P123P81		AGENCY	-	
CODE NO.	-		USER	-	
			DATE	-	
SCALE	1 : 1				
		Approved	Checked	Designed	

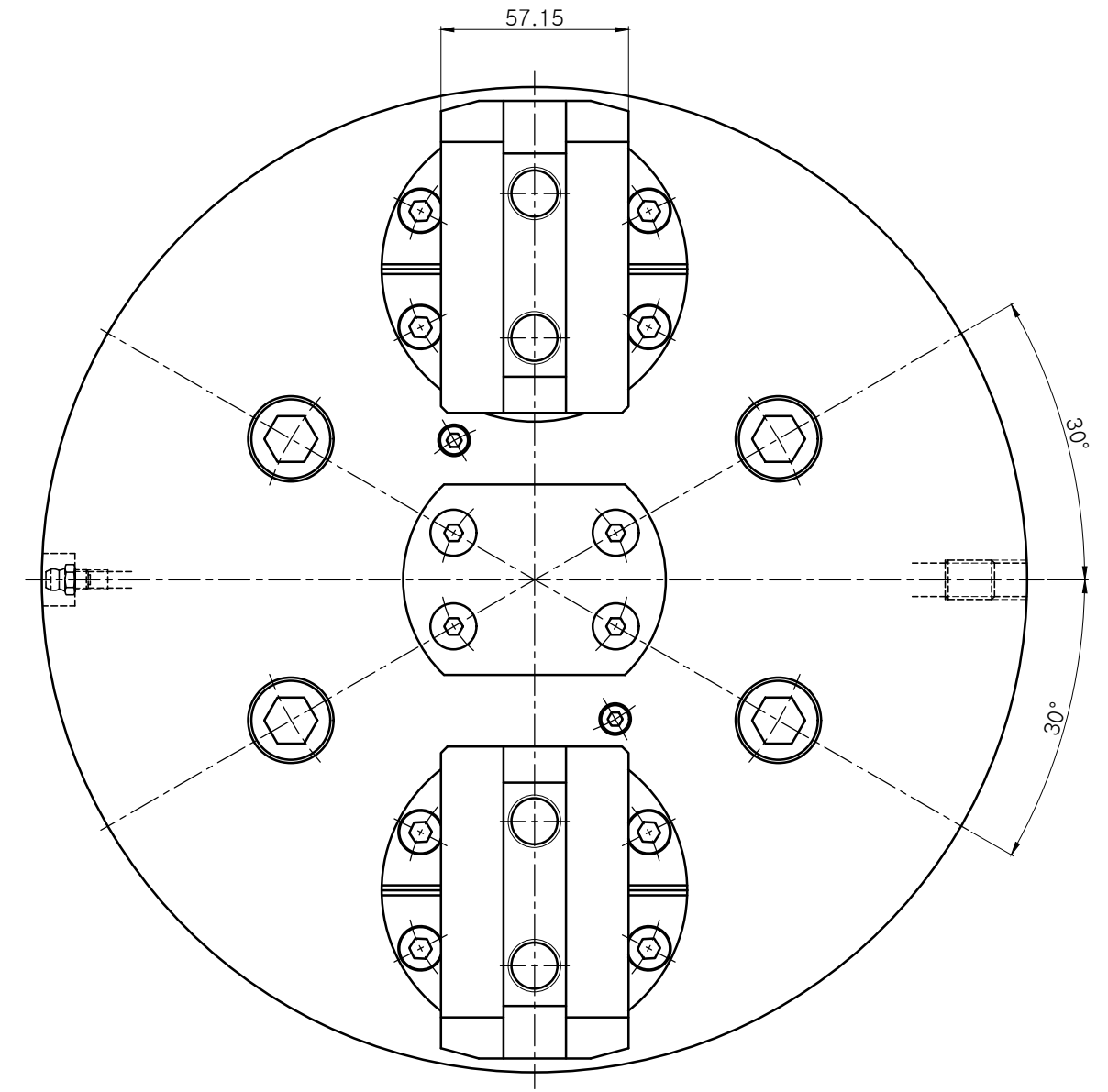
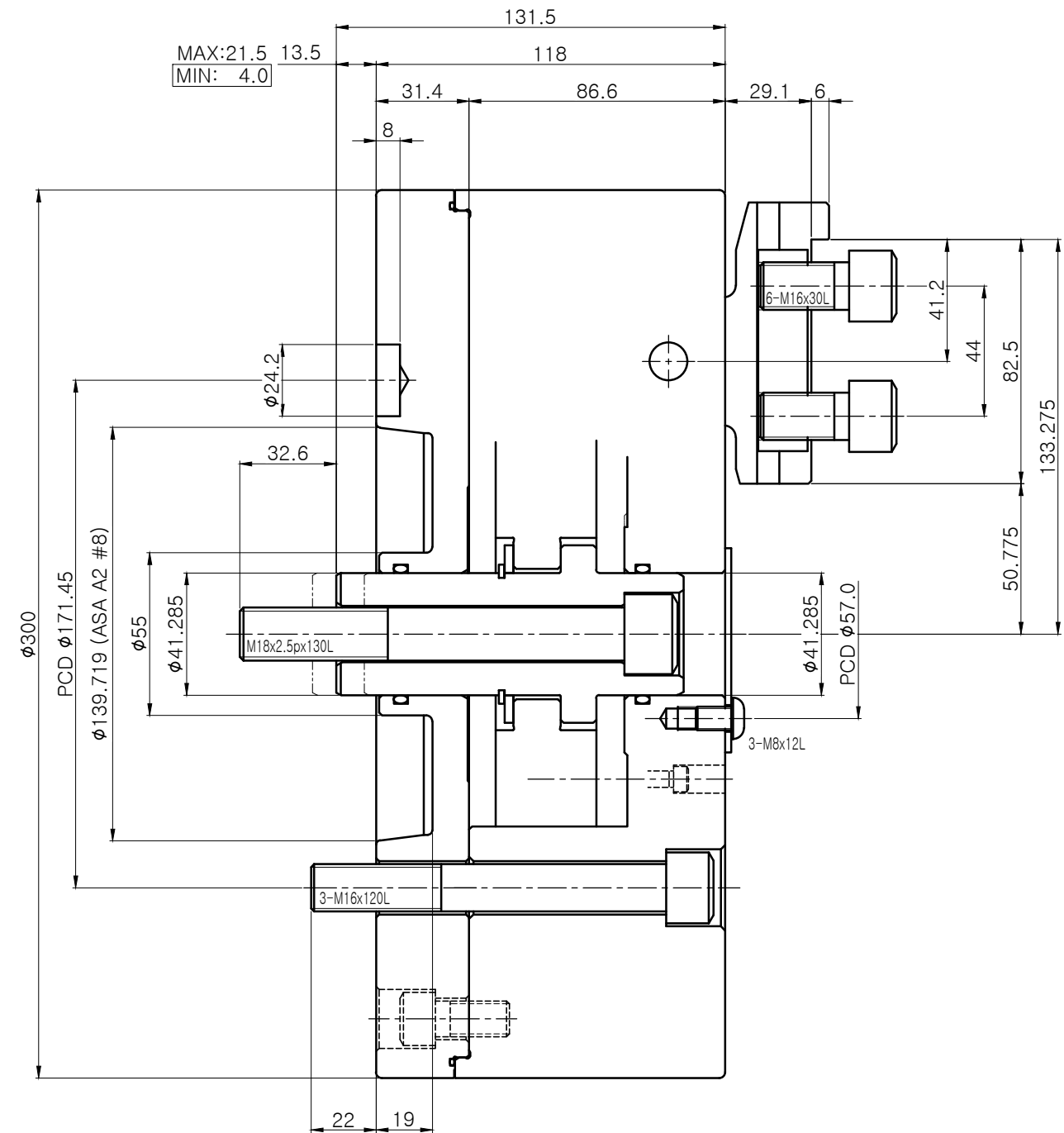
No.	REVISIONS	DATE	DRAWN	APP.
1				
2				



CHUCK SPEC.	
CHUCK SPEC.	PBL-12-2CT
PLUNGER STROKE	17.5 mm
JAW STROKE	12.7 mm
MAX. INPUT FORCE	2,400 kgf
CLAMPING FORCE	7,200 kgf
MAX. SPEED	2,000 rpm
MOMENT OF INERTIAL	1.23kgf.m ²
WEIGHT	67.5 kg

1	BLANK CHUCK	STD.	PBL-12-2CT	1SET	A2 #8
NO.	TITLE OF ITEM	MATERIAL	SIZE & SPEC.	Q'TY	NOTE
TITLE	PBL CHUCK (PBL-12-2CT)		PART NAME	ASSEMBLY DRAWING	
DWG. NO.	P122C81		AGENCY	-	
CODE NO.	-		USER	-	
			DATE	-	
SCALE	1 : 1	Approved	Checked	Designed	

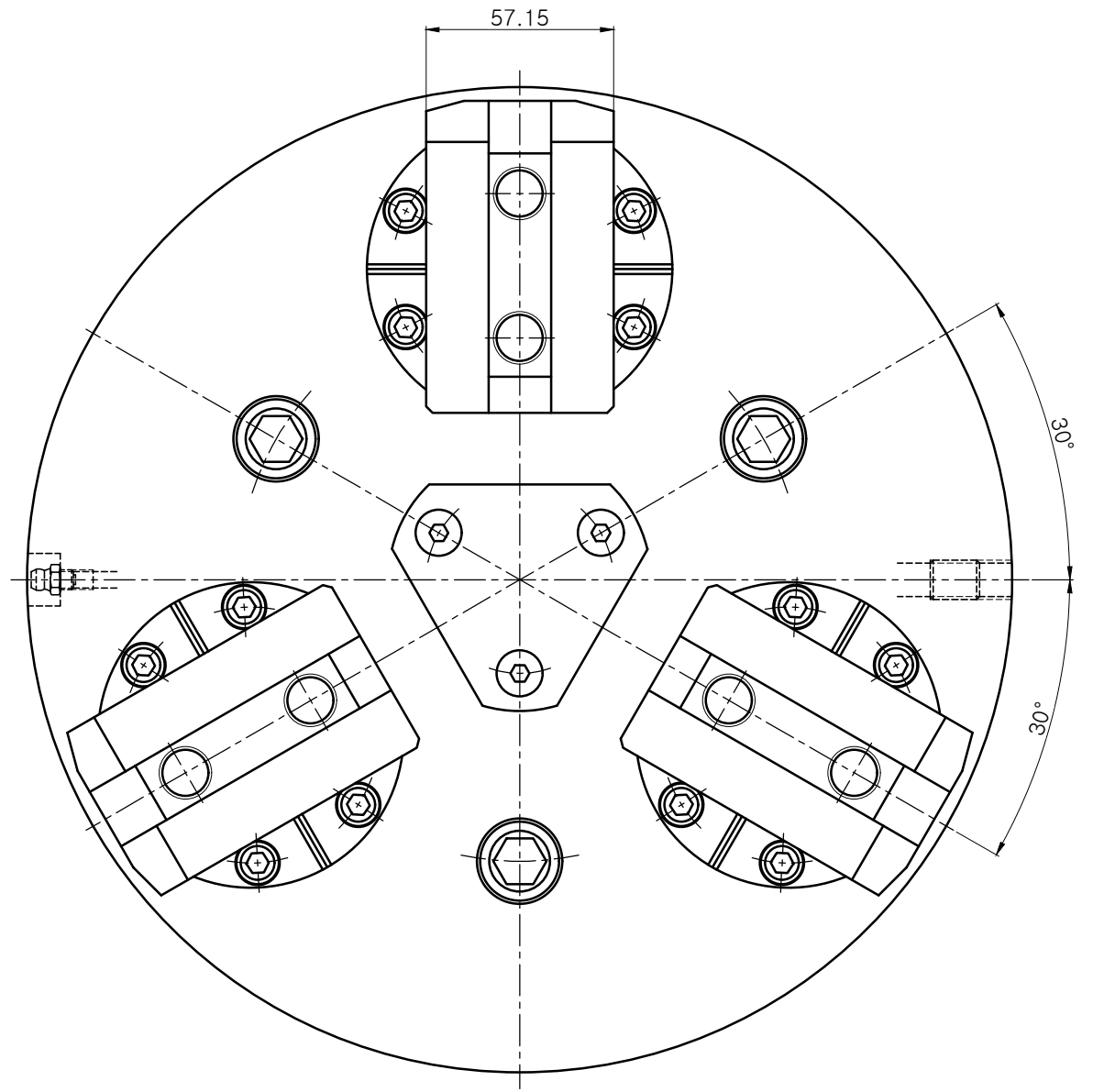
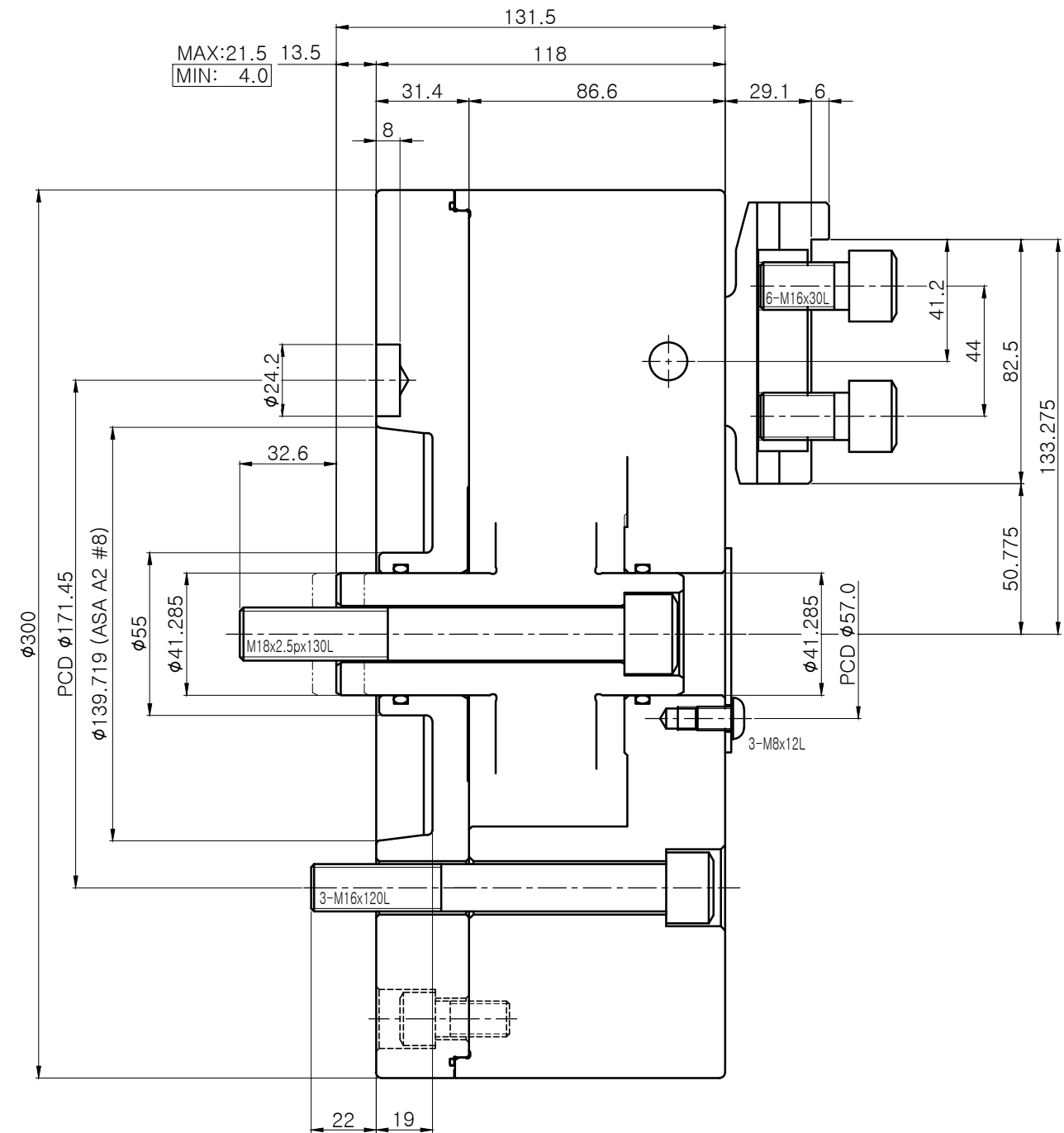
No.	REVISIONS	DATE	DRAWN	APP.
1				
2				



CHUCK SPEC.	
CHUCK SPEC.	PBL-12-2CP
PLUNGER STROKE	17.5 mm
JAW STROKE	12.7 mm
MAX. INPUT FORCE	2,400 kgf
CLAMPING FORCE	7,600 kgf
MAX. SPEED	2,000 rpm
MOMENT OF INERTIAL	1.23kgf.m ²
WEIGHT	67.5 kg

1	BLANK CHUCK	STD.	PBL-12-2CP	1SET	A2 #8
NO.	TITLE OF ITEM	MATERIAL	SIZE & SPEC.	Q'TY	NOTE
TITLE	PBL CHUCK (PBL-12-2CP)		PART NAME	ASSEMBLY DRAWING	
DWG. NO.	P122P81		AGENCY	-	
CODE NO.	-		USER	-	
			DATE	-	
SCALE					
1 : 1	Approved	Checked			

No.	REVISIONS	DATE	DRAWN	APP.
1				
2				



CHUCK SPEC.	
CHUCK SPEC.	PBL-12-3CT
PLUNGER STROKE	17.5 mm
JAW STROKE	12.7 mm
MAX. INPUT FORCE	3,600 kgf
CLAMPING FORCE	10,800 kgf
MAX. SPEED	2,000 rpm
MOMENT OF INERTIAL	1.23kgf.m ²
WEIGHT	67.5 kg

1	BLANK CHUCK	STD.	PBL-12-3CT	1SET	A2 #8
NO.	TITLE OF ITEM	MATERIAL	SIZE & SPEC.	Q'TY	NOTE
TITLE	PBL CHUCK (PBL-12-3CT)		PART NAME	ASSEMBLY DRAWING	
DWG. NO.	P123C81		AGENCY	-	
CODE NO.	-		USER	-	
			DATE	-	
SCALE	1 : 1	Approved	Checked	Designed	