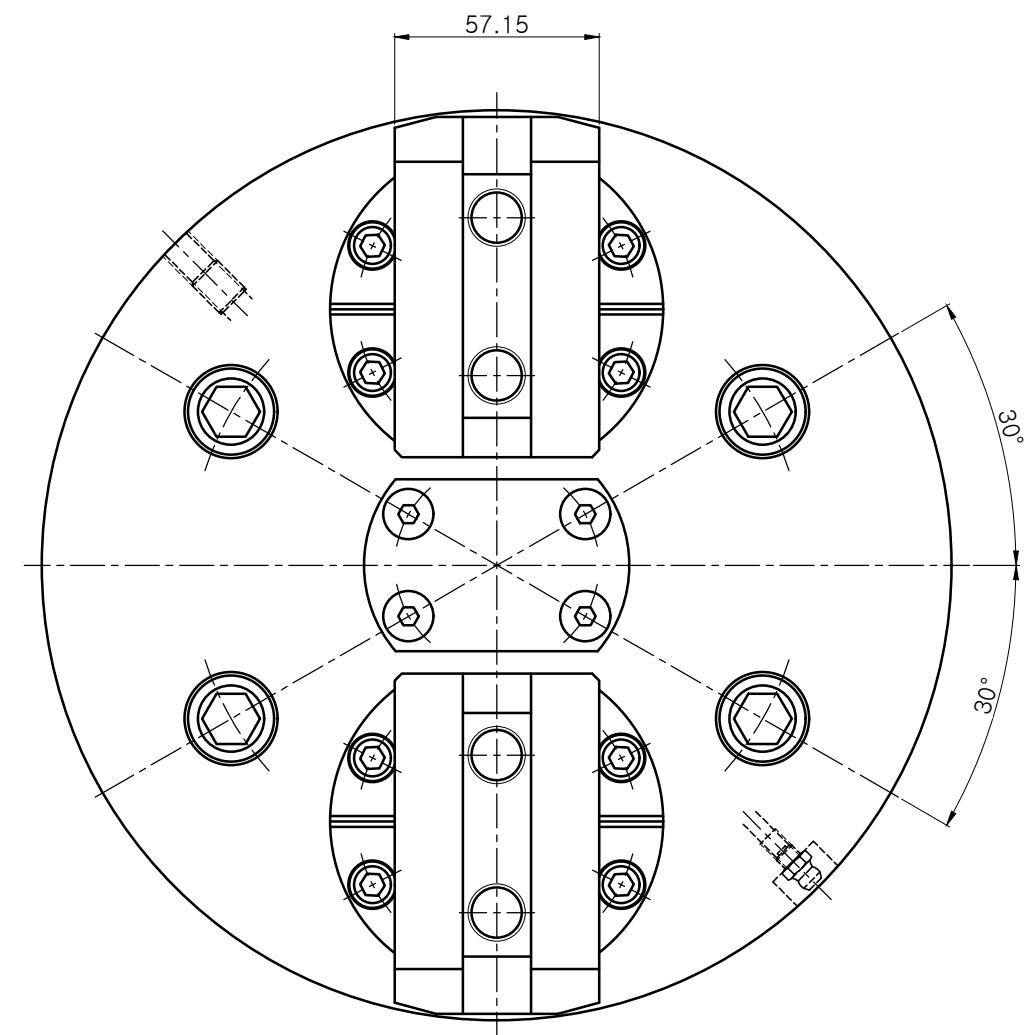
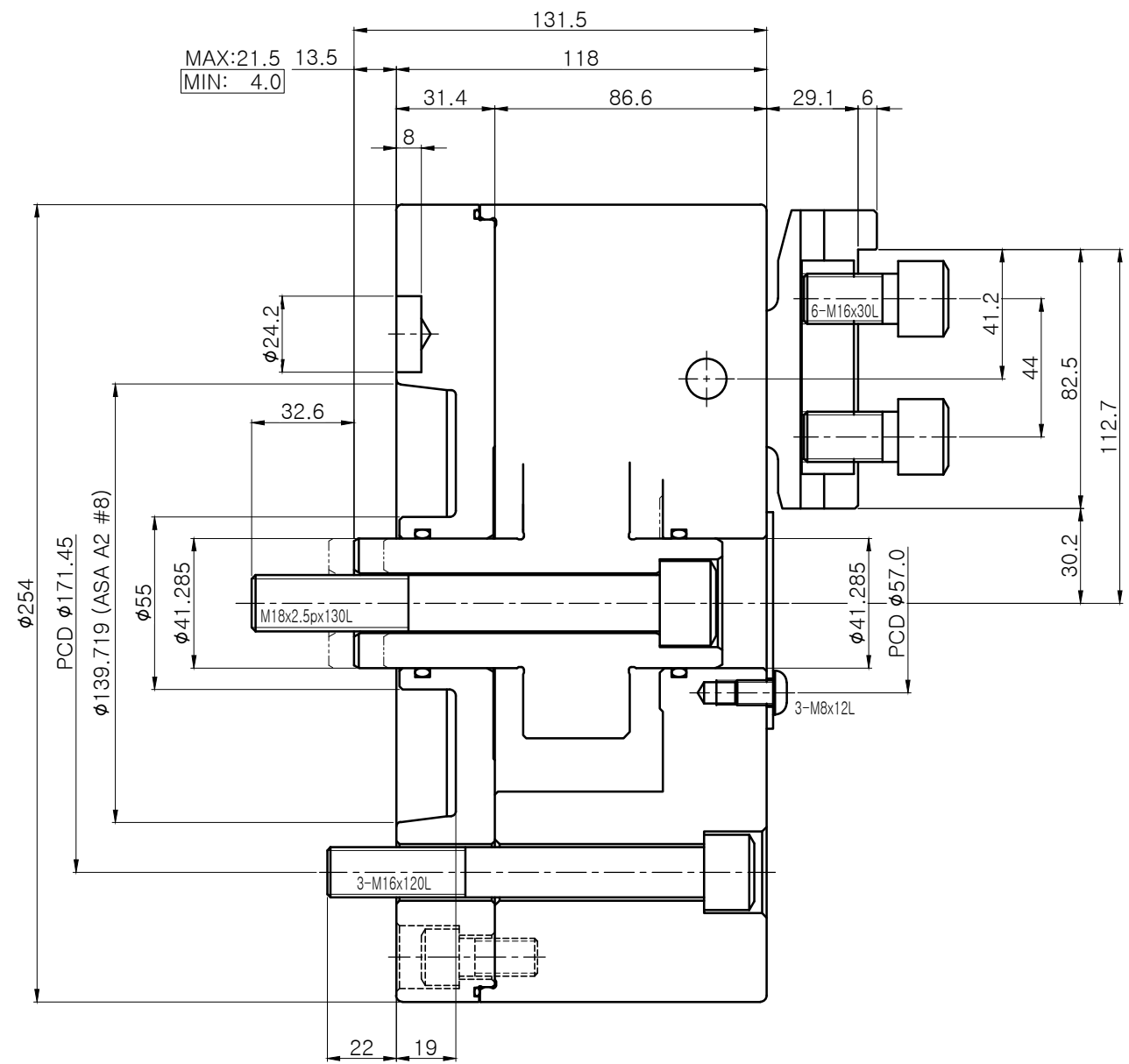


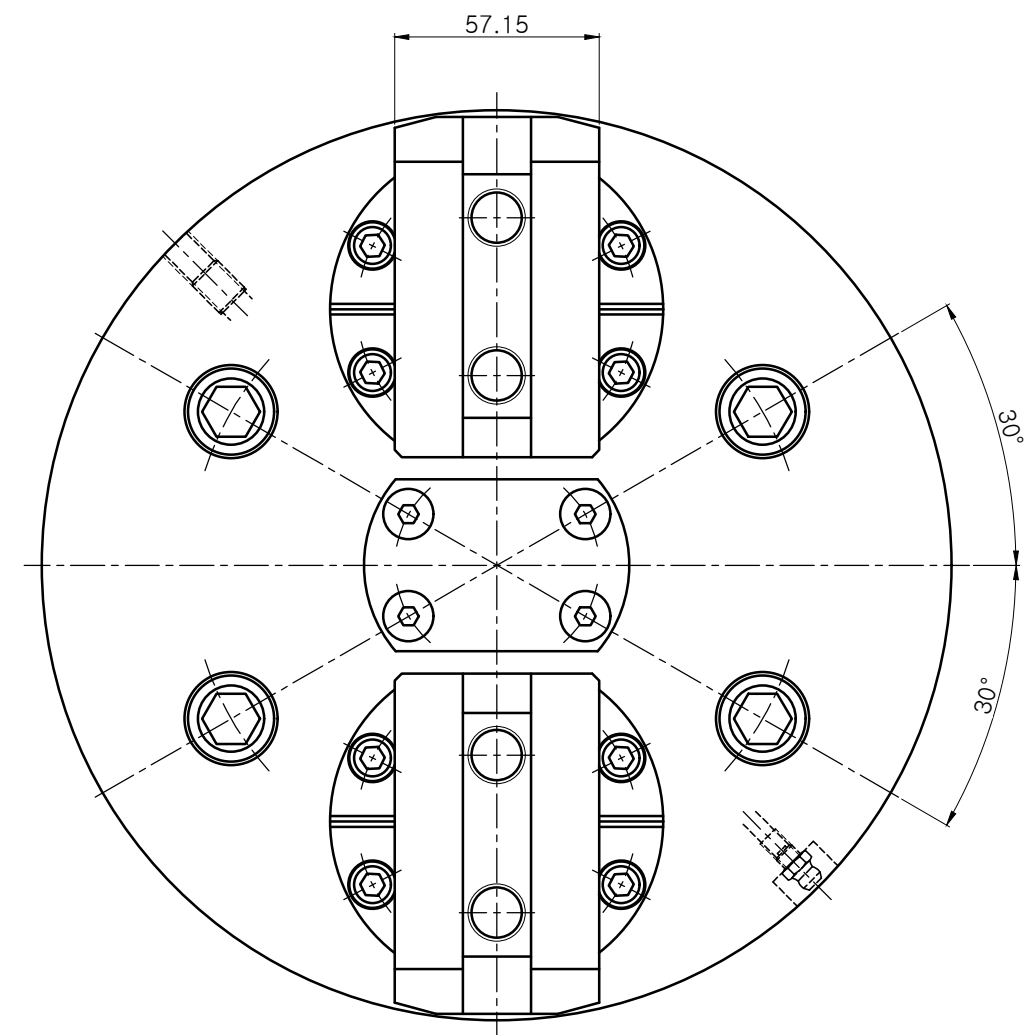
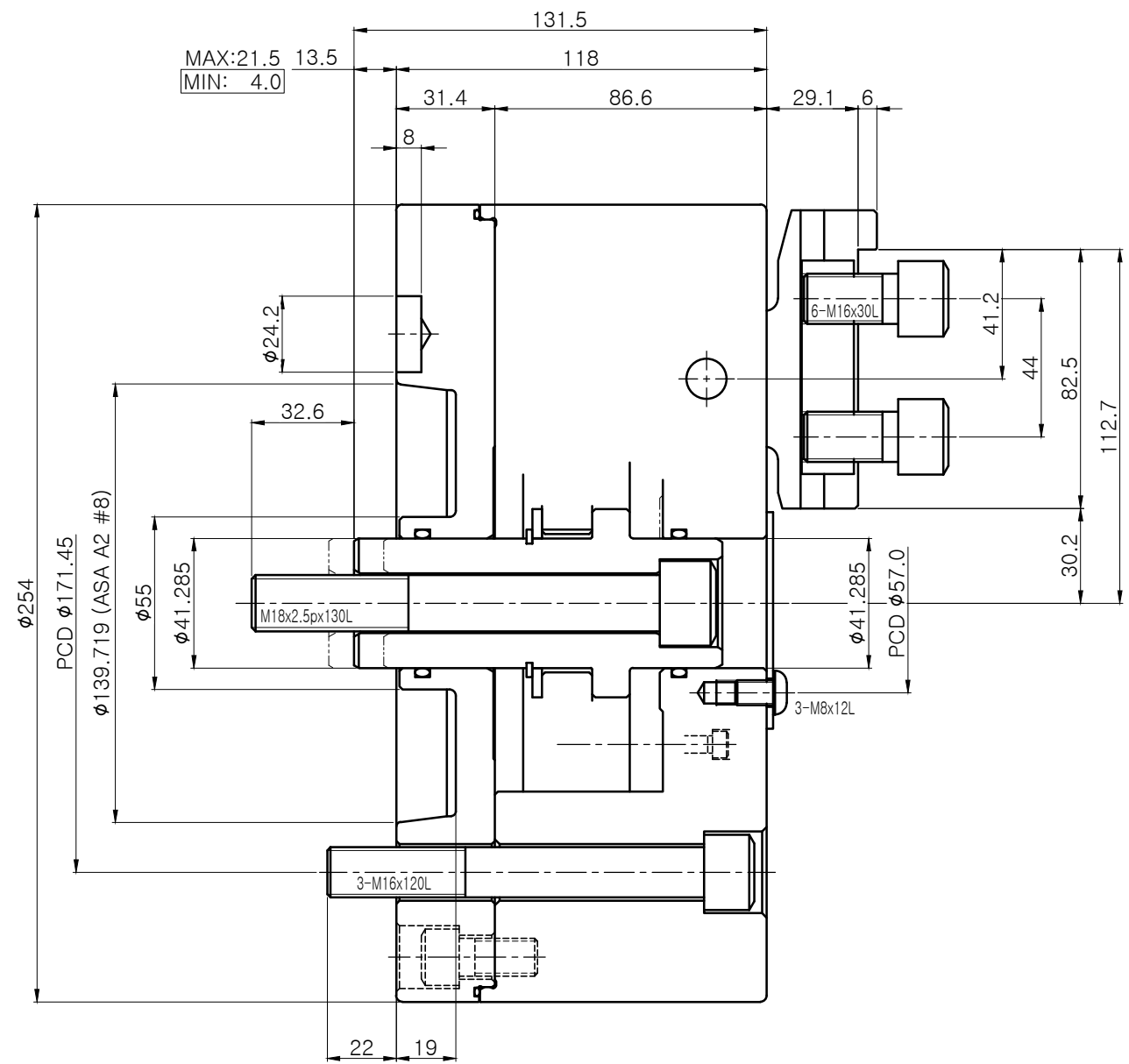
No.	REVISIONS	DATE	DRAWN	APP.
1				
2				



CHUCK SPEC.	
CHUCK SPEC.	PBL-10-2CT
PLUNGER STROKE	17.5 mm
JAW STROKE	12.7 mm
MAX. INPUT FORCE	2,400 kgf
CLAMPING FORCE	7,200 kgf
MAX. SPEED	2,500 rpm
MOMENT OF INERTIAL	1.23kgf.m <sup>2</sup>
WEIGHT	45 kg

1	BLANK CHUCK	STD.	PBL-10-2CT	1SET	A2 #8
NO.	TITLE OF ITEM	MATERIAL	SIZE & SPEC.	Q'TY	NOTE
TITLE	PBL CHUCK (PBL-10-2CT)		PART NAME	ASSEMBLY DRAWING	
DWG. NO.	P102C81		AGENCY	-	
CODE NO.	-		USER	-	
			DATE	-	
SCALE	1 : 1	Approved	Checked	Designed	

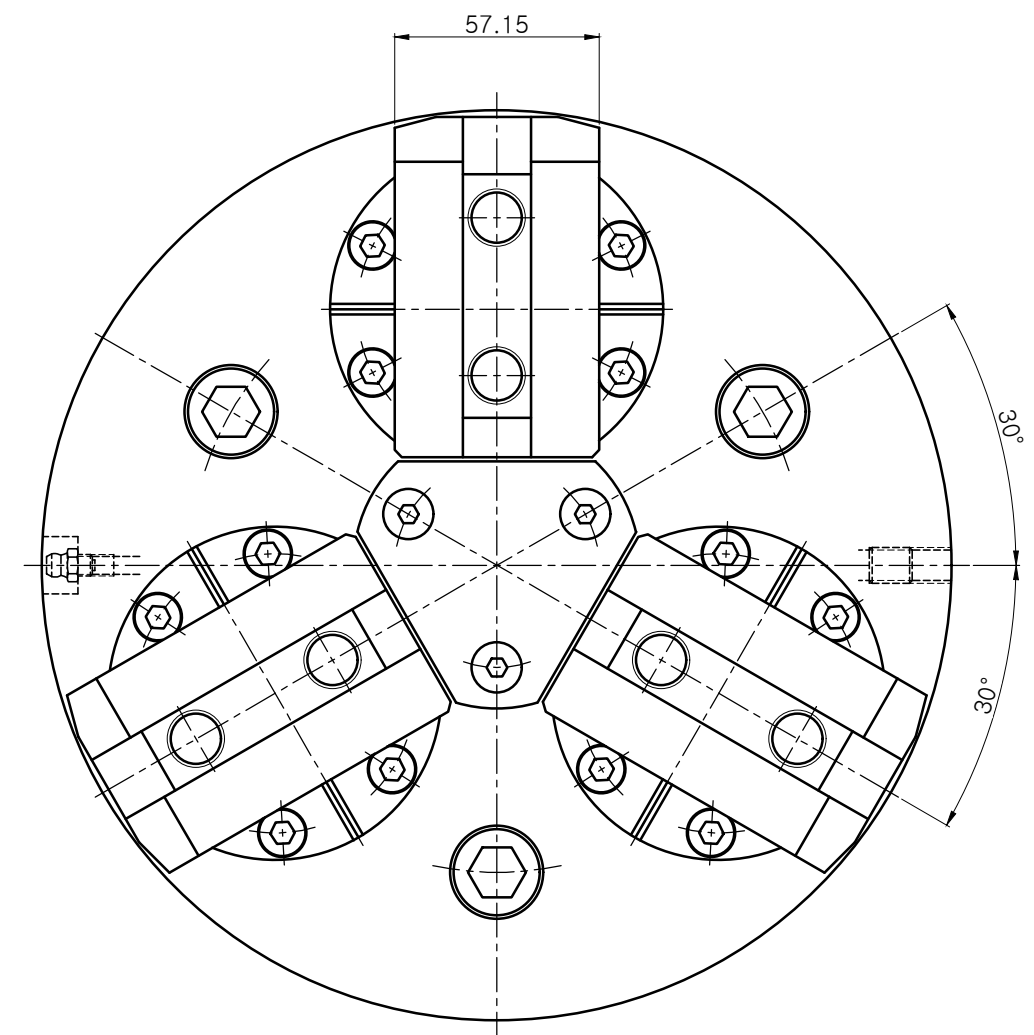
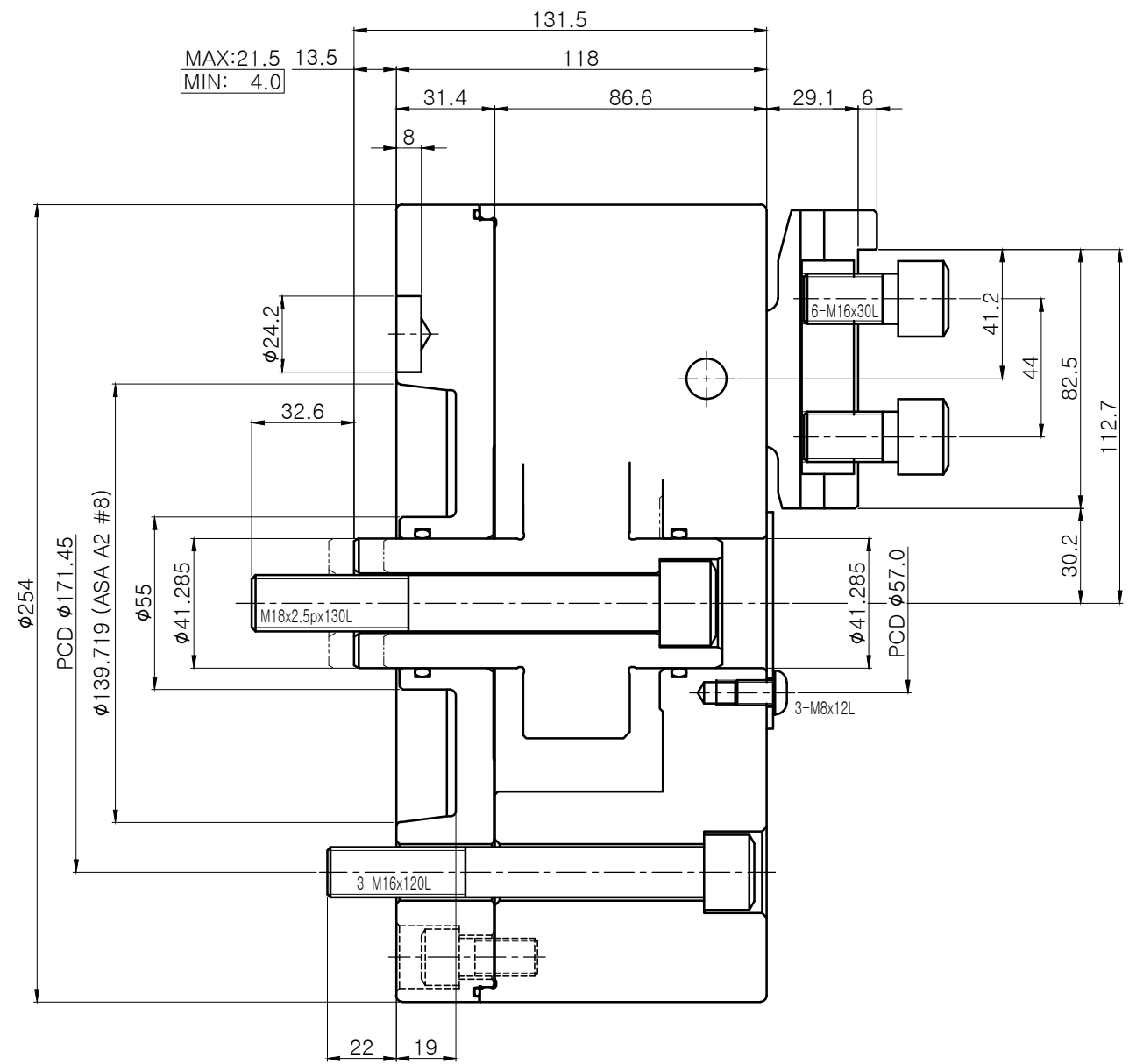
No.	REVISIONS	DATE	DRAWN	APP.
①				
②				



CHUCK SPEC.	
CHUCK SPEC.	PBL-10-2CP
PLUNGER STROKE	17.5 mm
JAW STROKE	12.7 mm
MAX. INPUT FORCE	2,400 kgf
CLAMPING FORCE	7,200 kgf
MAX. SPEED	2,500 rpm
MOMENT OF INERTIAL	1.23kgf.m <sup>2</sup>
WEIGHT	45 kg

1	BLANK CHUCK	STD.	PBL-10-2CP	1SET	A2 #8
NO.	TITLE OF ITEM	MATERIAL	SIZE & SPEC.	Q'TY	NOTE
TITLE	PBL CHUCK (PBL-10-2CP)		PART NAME	ASSEMBLY DRAWING	
DWG. NO.	P102P81		AGENCY	-	
CODE NO.	-		USER	-	
			DATE	-	
SCALE	1 : 1	Approved	Checked	Designed	

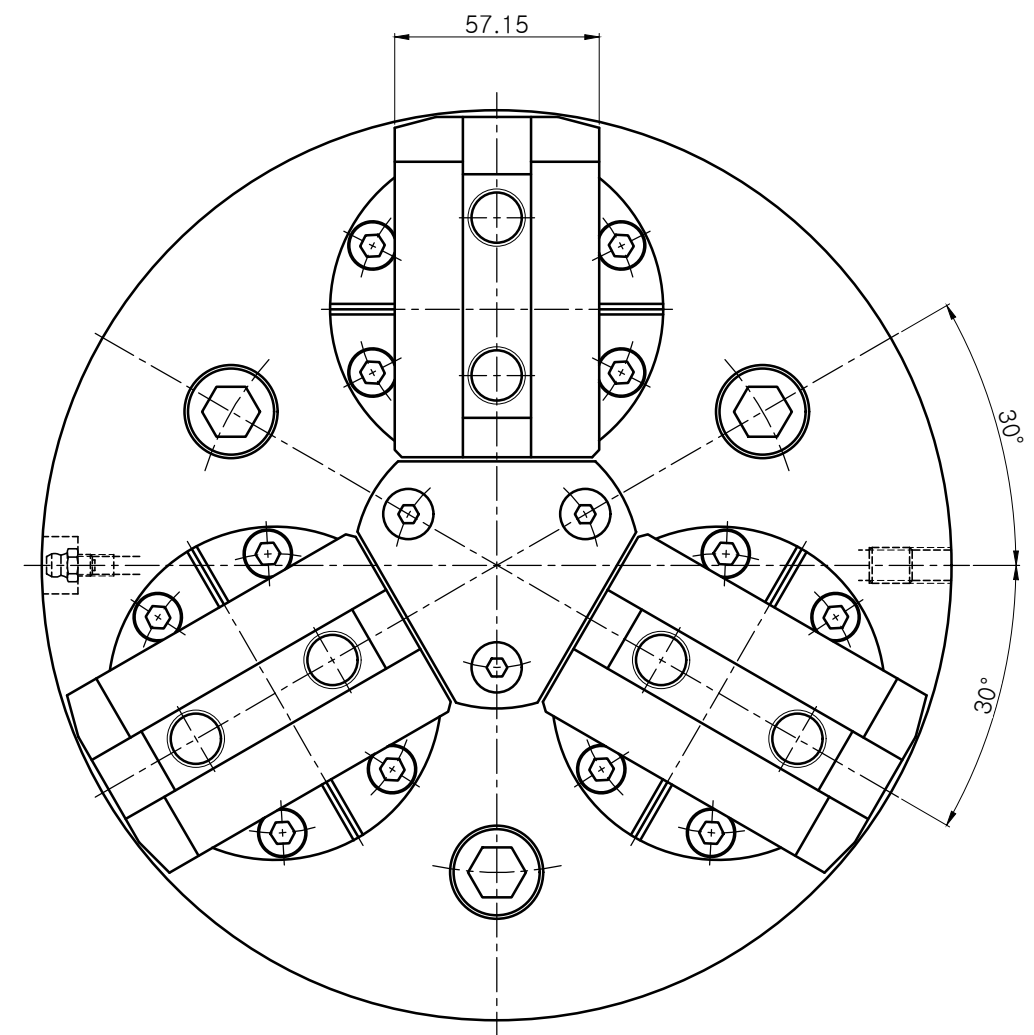
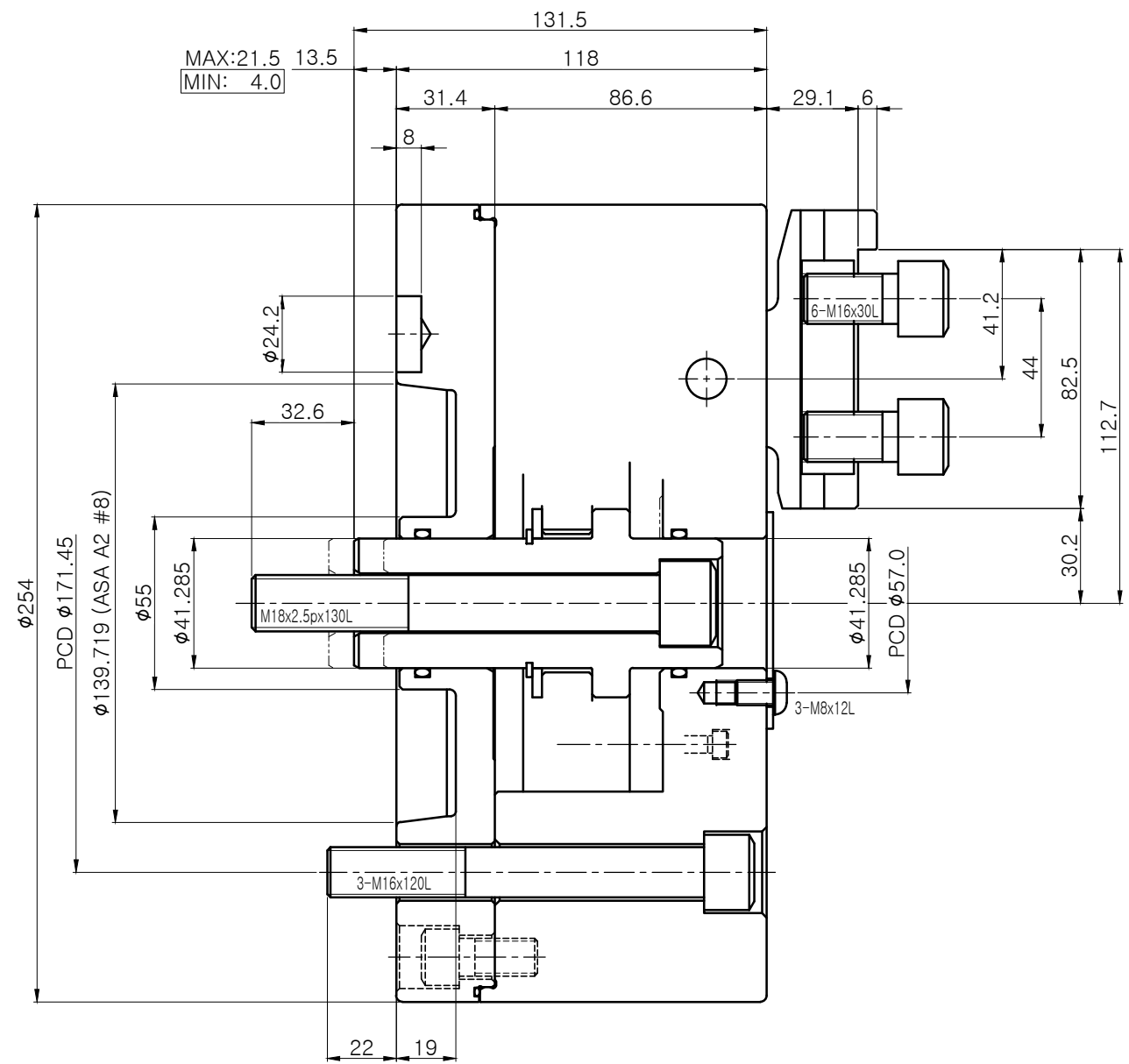
No.	REVISIONS	DATE	DRAWN	APP.
①				
②				



CHUCK SPEC.	
CHUCK SPEC.	PBL-10-3CT
PLUNGER STROKE	17.5 mm
JAW STROKE	12.7 mm
MAX. INPUT FORCE	3,600 kgf
CLAMPING FORCE	10,800 kgf
MAX. SPEED	2,500 rpm
MOMENT OF INERTIAL	1.23kgf.m <sup>2</sup>
WEIGHT	45 kg

1	BLANK CHUCK	STD.	PBL-10-3CT	1SET	A2 #8
NO.	TITLE OF ITEM	MATERIAL	SIZE & SPEC.	Q'TY	NOTE
TITLE	PBL CHUCK (PBL-10-3CT)		PART NAME	ASSEMBLY DRAWING	
DWG. NO.	P103C81		AGENCY	-	
CODE NO.	-		USER	-	
			DATE	-	
SCALE	1 : 1	Approved	Checked	Designed	

No.	REVISIONS	DATE	DRAWN	APP.
①				
②				



CHUCK SPEC.	
CHUCK SPEC.	PBL-10-3CP
PLUNGER STROKE	17.5 mm
JAW STROKE	12.7 mm
MAX. INPUT FORCE	3,600 kgf
CLAMPING FORCE	10,800 kgf
MAX. SPEED	2,500 rpm
MOMENT OF INERTIAL	1.23kgf.m <sup>2</sup>
WEIGHT	45 kg

1	BLANK CHUCK	STD.	PBL-10-3CP	1SET	A2 #8
NO.	TITLE OF ITEM	MATERIAL	SIZE & SPEC.	Q'TY	NOTE
TITLE	PBL CHUCK (PBL-10-3CP)		PART NAME	ASSEMBLY DRAWING	
DWG. NO.	P103P81		AGENCY	-	
CODE NO.	-		USER	-	
			DATE	-	
SCALE	1 : 1	Approved	Checked	Designed	